

Electrical Therapy Chair, 4 Motors

Agile Medical

Product code: **PS.DIA4EL**



With a variety of electrical functions and viscoelastic upholstery, our Electric Therapy Chair provides the optimum functionality and comfort for patients in areas such as chemotherapy and dialysis. With 4 motors, this chair can be adjusted from the sitting position to resting position to bed position and if necessary Trendelenburg position.



Electrical Therapy Chair, 4 Motors

Agile Medical

Product code: **PS.DIA4EL**



Height Adjustment



Backrest Adjustment



Trendelenburg Position



Relax-Position / Zero-Gravity



Bed Position



Sitting Position

Electrical Therapy Chair, 4 Motors

Agile Medical

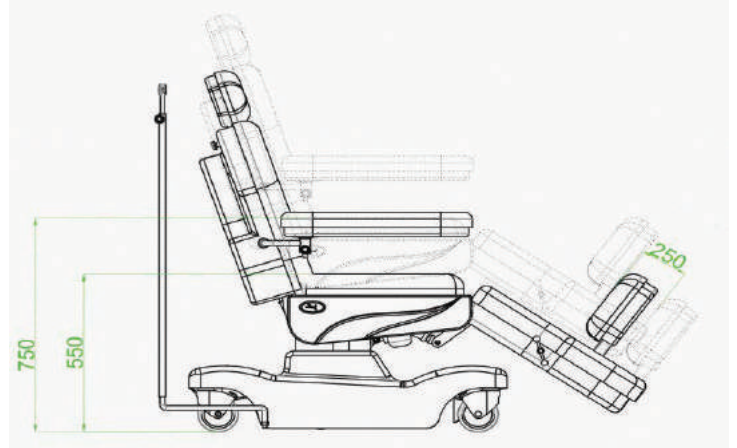
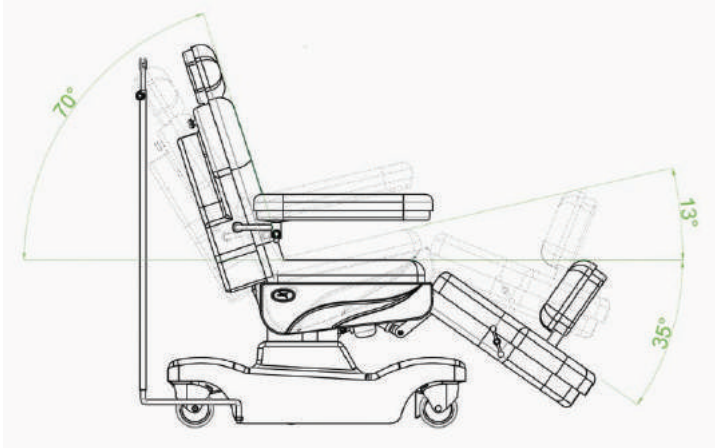
Product code: **PS.DIA4EL**

- 4 DC motors.
- Suitable for Hemodialysis sessions.
- Electronic adjustments of backrest, legrest, height, and Trendelenburg functions by hand control unit.
- Foot switch for height adjustment
- Anti-microbial, water proof, flame retardant, air permeable and easy cleanable cushion and not effected to skin.
- The chair is upholstered by viscoelastic foam which is known as memory foam, is a type of open cell, flexible polyurethane foam. It is body heat and weight sensitive material. It contours to the body shape, distributes the body pressure over a wide area and besides comfortable seating, allows for good blood circulation.
- Foam's capacity let the patient redistribute weight and surface pressure, potentially reducing decubitus ulcers.
- ABS covering designed to keep itself in the upholstery and it blocks the dust which goes into the upholstery.
- During the back rest movement, arm rests moves with the back rest simultaneously and the arm rests are easy removable.
- Easy adjustable and removable upholstered arm rests
- Chassis is made by 14 mm. sheet metal and lifting system fixed onto the 20 mm. steel llama holder.
- 360° swivel, 4 individually lockable castors of 125 mm diameter.
- Height adjustable IV pole with 2 hooks.
- Monitor Holder (optional).
- Rechargeable Back-up battery (optional)

Electrical Therapy Chair, 4 Motors

Agile Medical

Product code: **PS.DIA4EL**

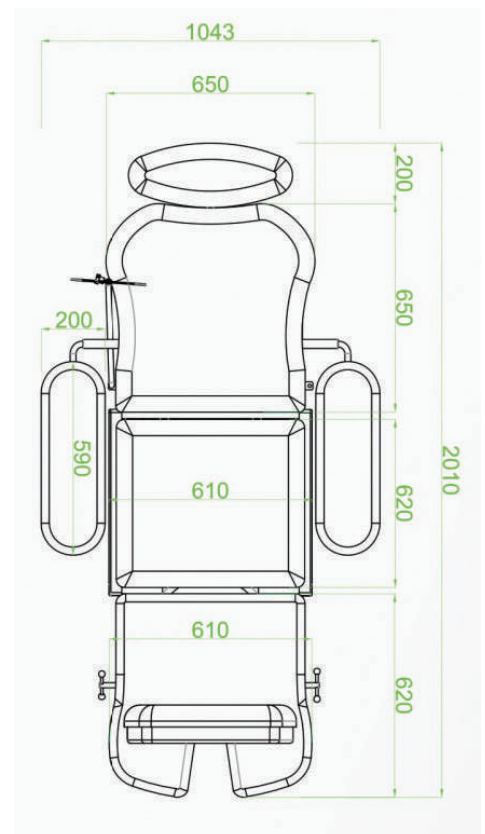


TECHNICAL DETAILS:

Backrest angle:	0°-70°
Trendelenburg angle:	0°-13°
Reverse Trendelenburg angle:	0°-(-5)°
Legrest angle:	0°-35°
Safe working load capacity:	250 kg
Weight:	115 kg
External dimensions(with armrest):	201x105cm
Bed surface:	201x65 cm
Height :	55 – 75 cm
Castor Diameter	125 mm

ELECTRICAL DATA

Power in	max. 3,15A 100V – 240V ~ 50/60 Hz
Electrical Shock Protection	Class I, Type B
Liquid ingress protection	IPX4



Electrical Therapy Chair, 4 Motors

Agile Medical

Product code: **PS.DIA4EL**

Optional accessories:



Rechargeable
Battery Backup



Monitor Holder



Weighing Scale

Colour options:



No. 1 - White



No. 2 - Beige



No. 3 - Milky Brown



No. 4 - Dark Brown



No. 5 - Pistachio Green



No. 6 - Light Green



No. 7 - Yellow



No. 8 - Orange



No. 9 - Claret Red



No. 10 - Pink



No. 11 - Lilac



No. 12 - Light Blue



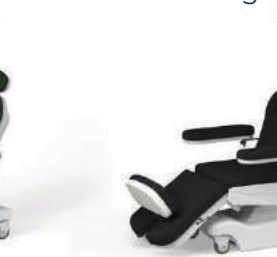
No. 13 - Navy Blue



No. 14 - Grey



No. 15 - Dark Green



No. 16 - Black