

EXURA

Medical PC Cart

Engineered to optimise nursing time



Excellence in design and performance

EXURA

Medical PC Cart



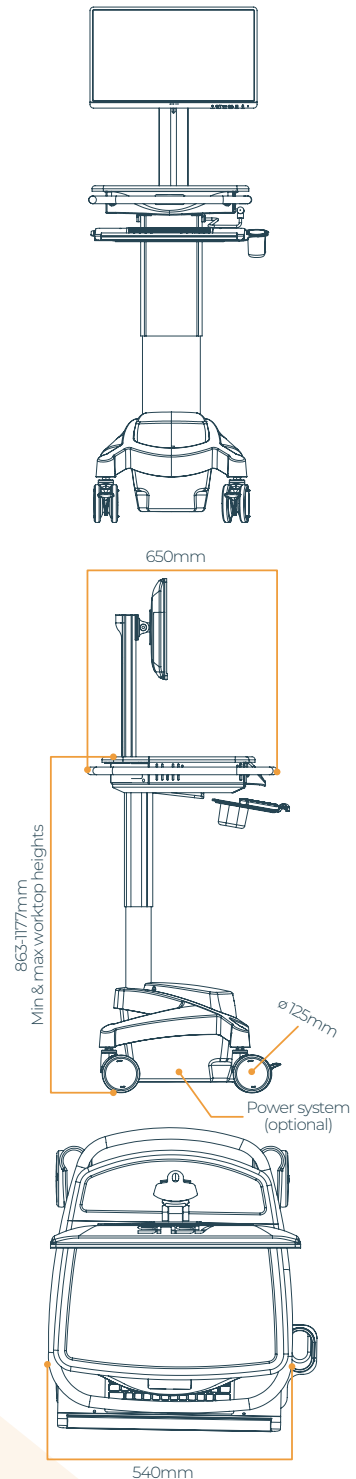
Robust, safe and designed to work for every user.

Optional **LifeP04 battery power system** featuring a PowerVar inverter with battery monitoring software.

Small footprint and all round outer grab handle for quick and safe manoeuvring.

Secure storage for electronics with optional accessories.

Easy to clean surfaces with a one-piece die cast lower base.



Note:

- Exura 650 Cart Width: 635mm

Medical PC Cart Configuration Options

Medical Records / Doctors (EPR)



Exura Cart
SKU: **403500**
Build Code: **CART**



Exura Twin Screen
SKU: **403502**
Build Code: **TWIN**

Medicine Administration (ePMA) / Phlebotomy



Exura 500
SKU: **405200**
Build Code: **500**



Exura 650
SKU: **405100**
Build Code: **650**

See page 4 for a range of available Exura accessories

Medical PC Cart Standard Accessories

Accessories



Keyboard Tray
SKU: **401101**
Build Code: **K**



Mouse Holder
SKU: **11911-9010**
Build Code: **M**



Scanner Bracket
SKU: **900605**
Build Code: **S**



Sharps Bin Mount
SKU: **9900606**
Build Code: **R**



Small Basket
SKU: **9900053**
Build Code: **B**



Shelf
SKU: **9900017**
Build Code: **I**

Storage drawer options



Drawer 3 (3")
Inner Dimensions:
340/430(W) x 250(D) x 70(H)



Drawer 6 (6")
Inner Dimensions:
340/430(W) x 250(D) x 150(H)



Drawer 9 (9")
Inner Dimensions:
340/430(W) x 250(D) x 225(H)

Note:
Standard drawer options shown, please specify custom sizing if required.

Divider options available.

Storage locking options



Key



Code Lock



RFID

Access control and recent user Audit Log